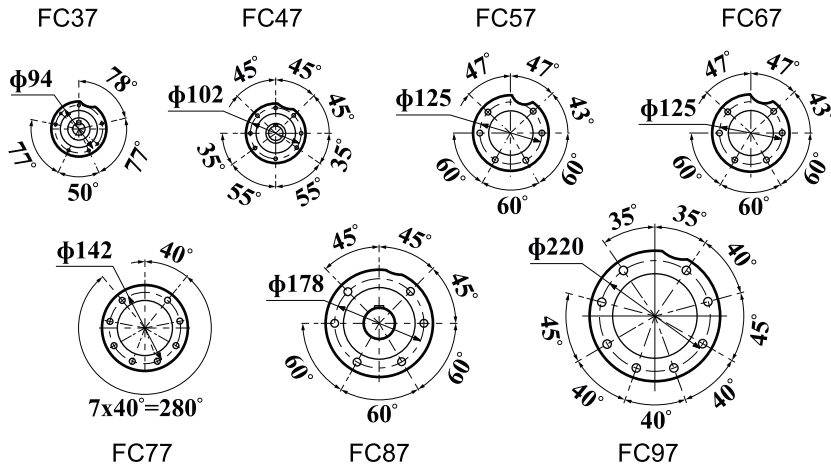
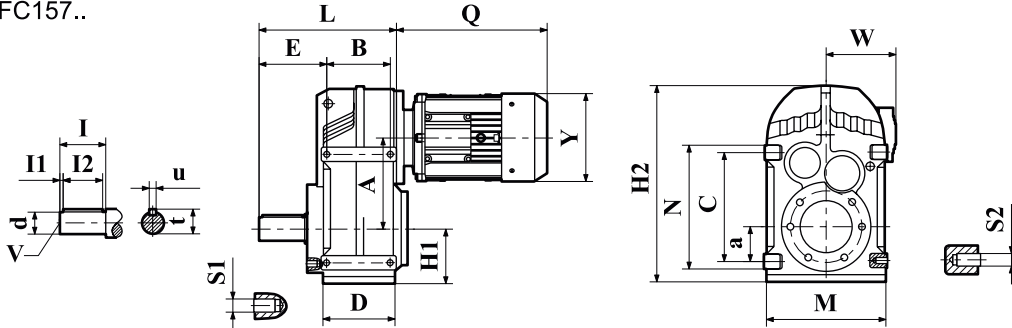


# Габаритно-присоединительные размеры мотор-редукторов FC27../FCHA27B../FCH27B../FCV27B

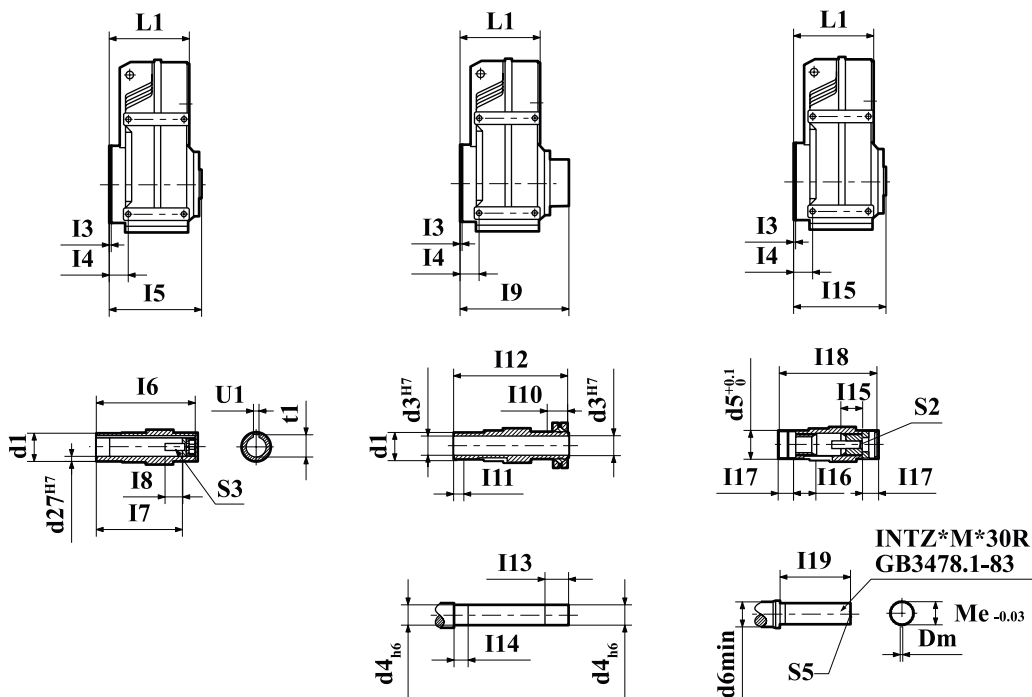
FC37..~FC157..



FCA37B..~FCA157B..

FCH37B..~FCH157B..

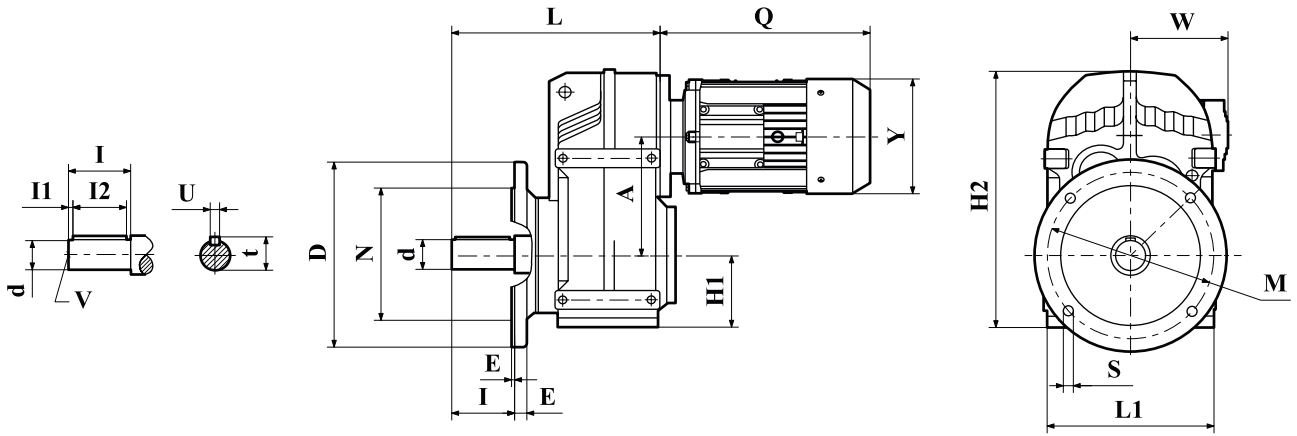
FCV37B..~FCV157B..



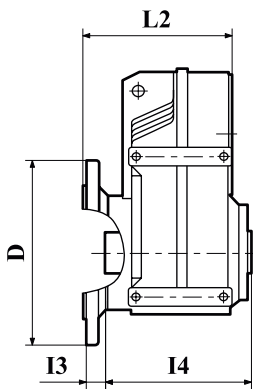
Размер	A	a	B C	D E	H1 H2	L L1	M N	S1 S2	Размер выходного вала					
									d	l	l1 l2	u	t	v
FC37	112	31	77 115	95 72.5	76 252	160 110	165 135	M8 M8	25k6	50	5 40	8	28	M10
FC47	128.1	43	93 145	109 91	77 269	193 133	180 165	M8 M10	30k6	60	3.5 50	8	33	M10
FC57	136	55	102 170	126 104.5	93 317	221 150	200 195	M12 M12	35k6	70	7 56	10	38	M12
FC67	159.5	60	112 190	131 118.5	97 343	242 161	212 215	M12 M12	40k6	80	5 70	12	43	M16
FC77	200	70	140 240	165 137.5	121 426	294 193	270 275	M12 M16	50k6	100	10 80	14	53.5	M16
FC87	246.7	100	165 310	195 163	152 531	344 224	330 350	M16 M16	60m6	120	5 110	18	64	M20
FC97	285	120	205 350	240 190.5	178 623	416 274	400 400	M16 M20	70m6	140	7.5 125	20	74.5	M20
FC107	332.4	125	220 400	260 241.5	200 717	484 312	450 460	- M24	90m6	170	5 160	25	95	M24
FC127	382.6	142	270 450	316 291	236 856	585 373	530 520	- M30	110m6	210	15 180	28	116	M24
FC157	447	170	310 540	364 325	286 1021	662 455	660 620	- M36	120m6	210	5 200	32	127	M24

Размер	Размер выходного вала											
	FCA..B				FCH..B				FCV..B			
	l3 l4 l5	d1 d2	l6 l7 l8	t1 U1 S3	d3 d4	l9 l10 l11	l12 l13 l14	d5 d6	l15 l16 l17	l18 l19	S4 S5	Z*M Me Dm
37	2.5 22.5 123	45 30	120 105 17	33.3 8 M10*25	30 30	155 31 20	146 36 25	37 42	122 25 18	120 85	M10*30 M10	22*1.25 33.03 2.75
47	3 31 153	50 35	150 132 22	38.3 10 M12*30	35 35	184 32 20	177 37 25	37 42	152 32 18	150 115	M10*30 M10	16*2 38.92 4
57	3 33.5 170	55 40	166 142 29	43.3 12 M16*40	40 40	200 26 20	195 31 25	37 42	168 32 18	166 130	M10*30 M10	16*2 38.92 4
67	3.5 37.5 184	55 40	180 156 29	43.3 12 M16*40	40 40	215.5 38 20	208 43 25	47 52	180 42 25	180 130	M16*50 M16	21*2 48.85 4
77	4 36.5 213	70 50	210 183 32	53.8 14 M16*46	50 50	249 36 30	241 41 35	55 62	210 52 23	210 160	M16*50 M16	24*2 54.13 4
87	4 43 243	85 60	240 210 36	64.4 18 M20*50	65 65	291 41 40	281 46 45	72 82	240 62 25	240 180	M20*60 M20	31*2 68.96 4
97	4 48.5 303	95 70	300 270 34	74.9 20 M20*50	75 75	357 55 50	345 60 55	72 90	300 72 25	300 240	M20*60 M20	34*2 74.15 4
107	2.5 69.5 353	118 90	350 313 40	95.4 25 M24*60	95 95	420 65 60	405 75 70	90 105	353 89 26	350 290	M20*60 M20	27*3 90.99 4
127	2.5 79 413	135 100	410 373 38	106.4 28 M24*60	105 105	502 85 70	485 95 80	-	-	-	-	-
157	7 118 503	155 120	500 460 36	127.4 32 M24*60	125 125	598 90 80	580 100 90	-	-	-	-	-

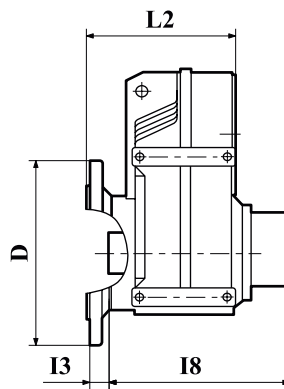
FCF37..~FCF157..



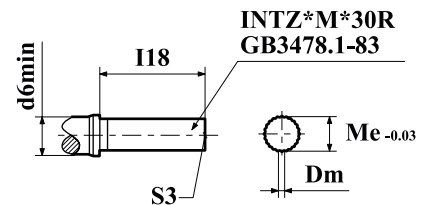
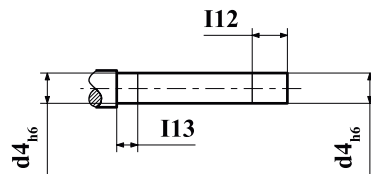
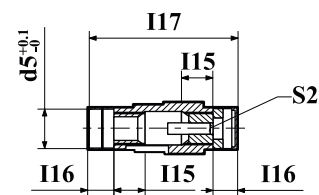
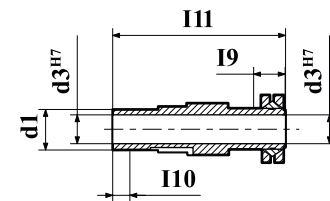
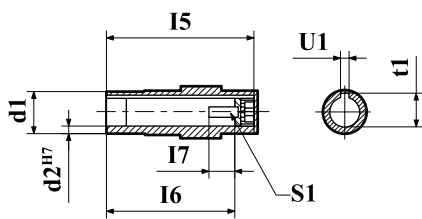
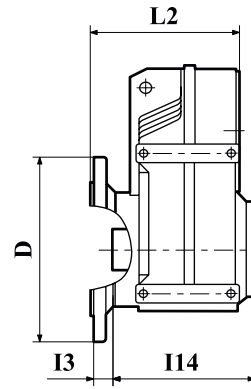
FCAF37..~FCAF157..



FCHF37..~FCHF157..



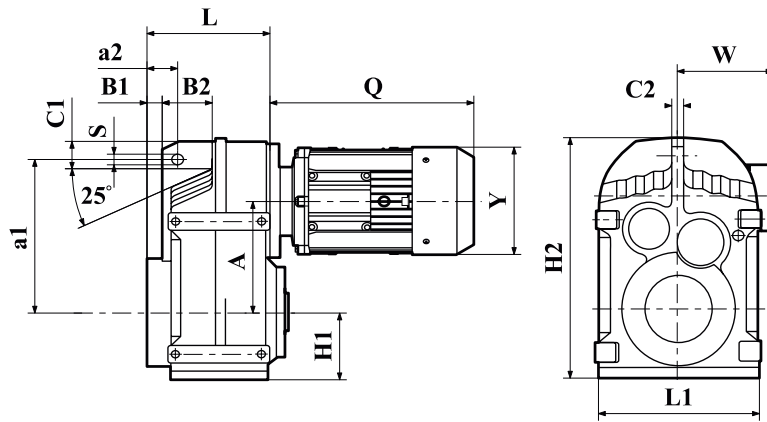
FCVF37..~FCVF157..



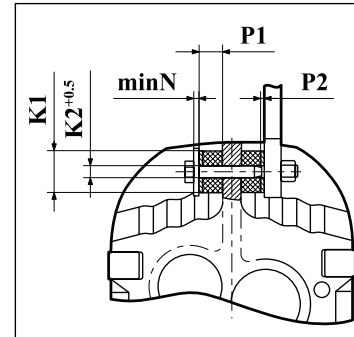
Размер	A	D	B F	H1 H2	L	L1 L2	M N	S	Размер выходного вала					
									d	l	I2 I2	u	t	v
FCF37	112	160	10 3.5	76 252	184	165 138	130 110j6	4-φ9	25k6	50	5 40	8	28	M10
FCF47	128.1	200	12 3.5	77 269	218	180 162	165 130j6	4-φ11	30k6	60	3.5 50	8	33	M10
FCF57	136	250	15 4	93 317	243	200 177	215 180j6	4-φ13.5	35k6	70	7 56	10	38	M12
FCF67	159.5	250	15 4	97 343	264	212 188	215 180j6	4-φ13.5	40k6	80	5 70	12	43	M16
FCF77	200	300	16 4	121 426	330	270 234	265 230h6	4-φ13.5	50k6	100	10 80	14	53.5	M16
FCF87	246.7	350	18 5	152 531	374	330 259	300 250h6	4-φ17.5	60m6	120	5 110	18	64	M20
FCF97	285	450	22 5	178 623	456	400 321	400 350h6	8-φ17.5	70m6	140	7.5 125	20	74.5	M20
FCF107	332.4	450	22 5	200 717	523	450 358	400 350h6	8-φ17.5	90m6	170	5 160	25	95	M24
FCF127	382.6	550	25 5	236 856	634	530 429	500 450h6	8-φ17.5	110m6	210	15 180	28	116	M24
FCF157	447	660	28 6	286 1021	725	660 521	600 550h6	8-φ22	120m6	210	5 200	32	127	M24

Размер	Размер выходного вала											
	FCAF..				FCHF..				FCVF..			
	I3 I4	d1 d2	I5 I6 I7	t1 U1 S3	d3 d4	I8 I9 I10	I11 I12 I13	d5 d6	I14 I15 I16	I17 I18	S4 S5	Z*M Me Dm
37	24 123	45 30	120 105 17	33.3 8 M10*25	30 30	155 31 20	146 36 25	37 42	122 25 18	120 85	M10*30 M10	22*1.25 33.03 2.75
47	25 153	50 35	150 132 22	38.3 10 M12*30	35 35	184 32 20	177 37 25	37 42	152 32 18	150 115	M10*30 M10	16*2 38.92 4
57	23.5 170	55 40	166 142 29	43.3 12 M16*40	40 40	200 26 20	195 31 25	37 42	168 32 18	166 130	M10*30 M10	16*2 38.92 4
67	23 184	55 40	180 156 29	43.3 12 M16*40	40 40	215.5 38 20	208 43 25	47 52	180 42 25	180 130	M16*50 M16	21*2 48.85 4
77	37 213	70 50	210 183 32	53.8 14 M16*46	50 50	249 36 30	241 41 35	55 62	210 52 23	210 160	M16*50 M16	24*2 54.13 4
87	30 243	85 60	240 210 36	64.4 18 M20*50	65 65	291 41 40	281 46 45	72 82	240 62 25	240 180	M20*60 M20	31*2 68.96 4
97	41.5 303	95 70	300 270 34	74.9 20 M20*50	75 75	357 55 50	345 60 55	72 90	300 72 25	300 240	M20*60 M20	34*2 74.15 4
107	41 353	118 90	350 313 40	95.4 25 M24*60	95 95	420 65 60	405 75 70	90 105	353 89 26	350 290	M20*60 M20	27*3 90.99 4
127	51 413	135 100	410 373 38	106.4 28 M24*60	105 105	502 85 70	485 95 80	-	-	-	-	-
157	60 503	155 120	500 460 36	127.4 32 M24*60	125 125	598 90 80	580 100 90	-	-	-	-	-

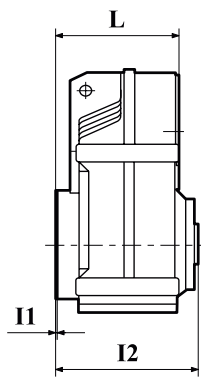
FCA37..~FCA157..



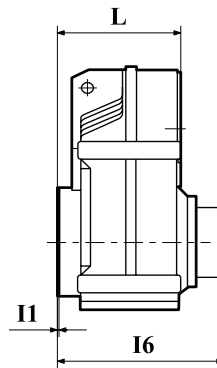
FC.. /G..



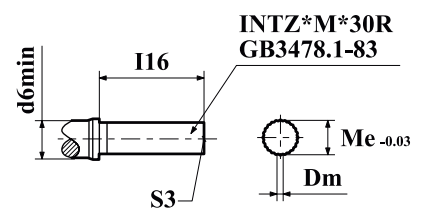
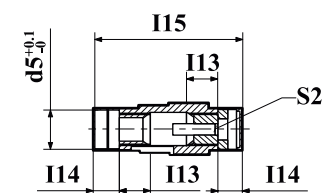
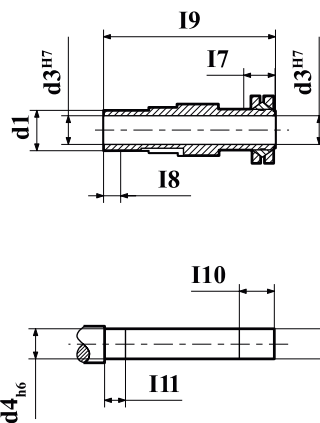
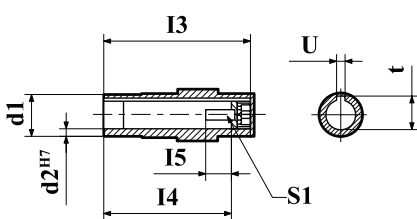
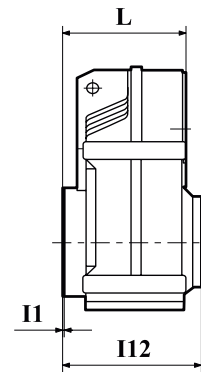
FCA37..~FCA157..



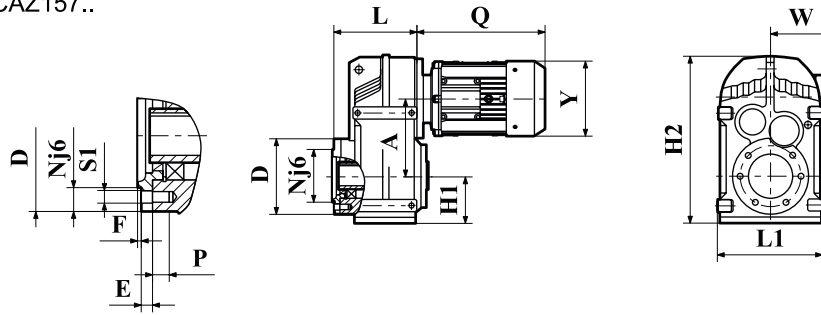
FCH37..~FCH157..



FCV37..~FCV107..



FCAZ37..~FCAZ157..



FCAZ37

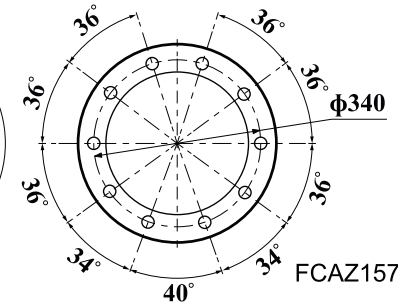
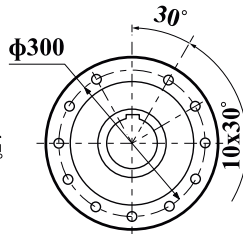
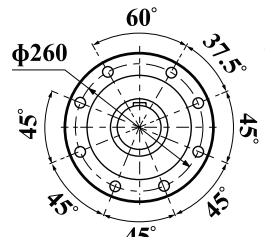
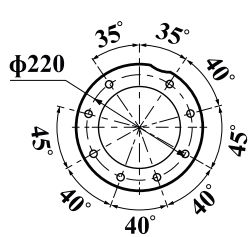
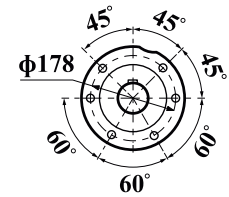
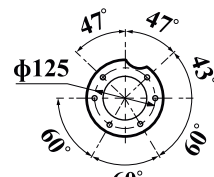
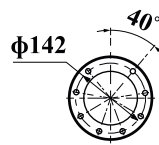
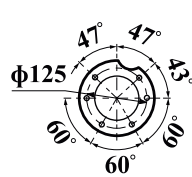
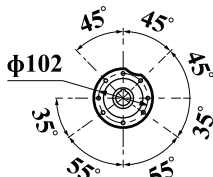
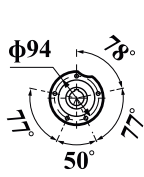
FCAZ47

FCAZ57

FCAZ67

FCAZ77

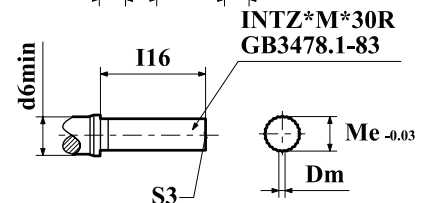
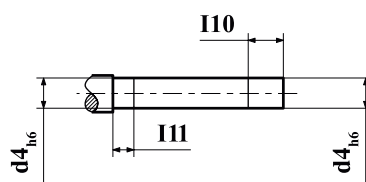
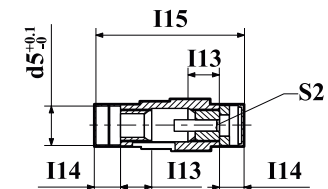
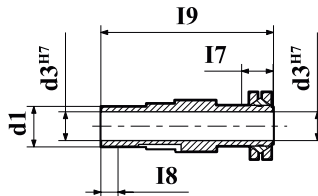
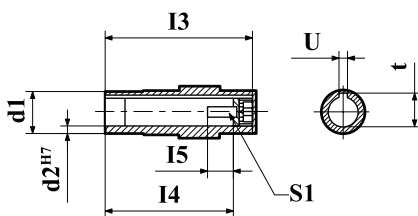
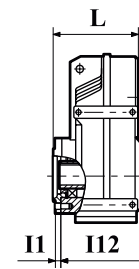
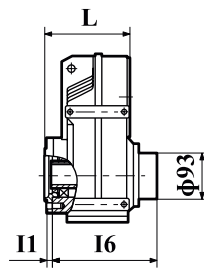
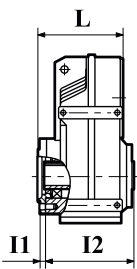
FCAZ87



FCAZ37..~FCAZ157..

FCHZ37..~FCHZ157..

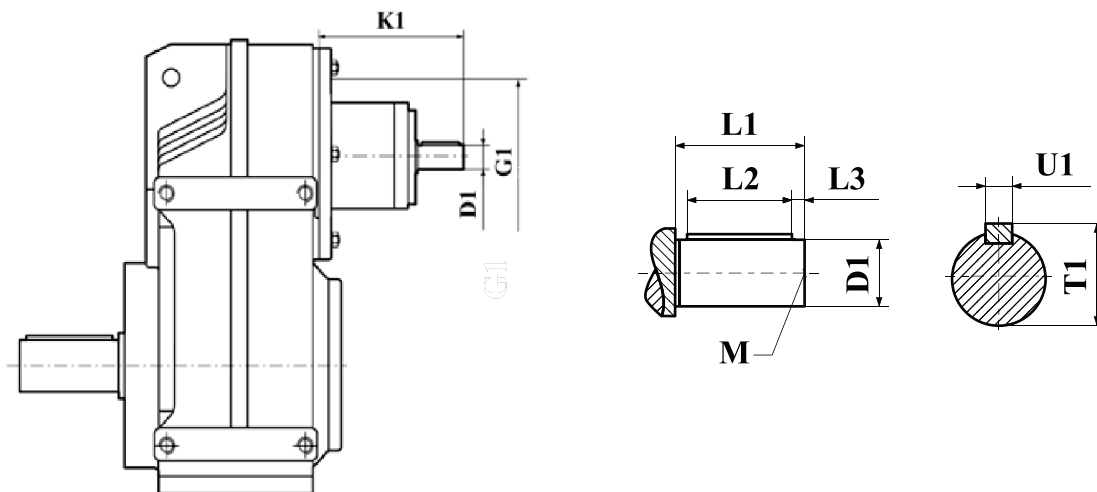
FCVZ37..~FCVZ107..



Размер	A	D	E F	H1 H2	L	L1	N	P	S1 S2
FCAZ37	112	110	11.5 3	76 252	110	165	80	11	9 M8
FCAZ47	128.1	120	11 3	77 269	133	180	80	11	9 M8
FCAZ57	136	155	12 3.5	93 317	150	200	105	17	13.5 M12
FCAZ67	159.5	155	12 3.5	97 343	161	212	105	17	13.5 M12
FCAZ77	200	170	14 3.5	121 426	193	270	125	17	13.5 M12
FCAZ87	246.7	215	15 4	152 531	224	330	155	26	17.5 M16
FCAZ97	285	260	18 4	178 623	274	400	180	26	17.5 M16
FCAZ107	332.4	304	22 4	200 717	312	450	210J6	28	22 M20
FCAZ127	382.6	350	30 5	236 856	373	530	250H6	28	22 M20
FCAZ157	447	400	28 5	286 1021	455	660	290H6	36	26 M24

Размер	Размер выходного вала											
	FCAZ..				FCHZ..			FCVZ..				
	I1 I2	d1 d2	I3 I4 I5	t U S1	d3 d4	I6 I7 I8	I9 I10 I11	d5 d6	I12 I13 I14	I15 I16	S2 S3	Z*M Me Dm
37	9 123	45 30	120 105 17	33.3 8 M10*25	30 30	155 31 20	146 36 25	37 42	122 25 18	120 85	M10*30 M10	22*1.25 33.03 2.75
47	8 153	50 35	150 132 22	38.3 10 M12*30	35 35	184 32 20	177 37 25	37 42	152 32 18	150 115	M10*30 M10	16*2 38.92 4
57	9 170	55 40	166 142 29	43.3 12 M16*40	40 40	200 26 20	195 31 25	37 42	168 32 18	166 130	M10*30 M10	16*2 38.92 4
67	8.5 184	55 40	180 156 29	43.3 12 M16*40	40 40	215.5 38 20	208 43 25	47 52	180 42 25	180 130	M16*50 M16	21*2 48.85 4
77	10 213	70 50	210 183 32	53.8 14 M16*46	50 50	249 36 30	241 41 35	55 62	210 52 23	210 160	M16*50 M16	24*2 54.13 4
87	11 243	85 60	240 210 36	64.4 18 M20*50	65 65	291 41 40	281 46 45	72 82	240 62 25	240 180	M20*60 M20	31*2 68.96 4
97	14 303	95 70	300 270 34	74.9 20 M20*50	75 75	357 55 50	345 60 55	72 90	300 72 25	300 240	M20*60 M20	34*2 74.15 4
107	8 353	118 90	350 313 40	95.4 25 M24*60	95 95	420 65 60	405 75 70	90 105	353 89 26	350 290	M20*60 M20	27*3 90.99 4
127	2.5 413	135 100	410 373 38	106.4 28 M24*60	105 105	502 85 70	485 95 80	-	-	-	-	-
157	14 503	155 120	500 460 36	127.4 32 M24*60	125 125	598 90 80	580 100 90	-	-	-	-	-

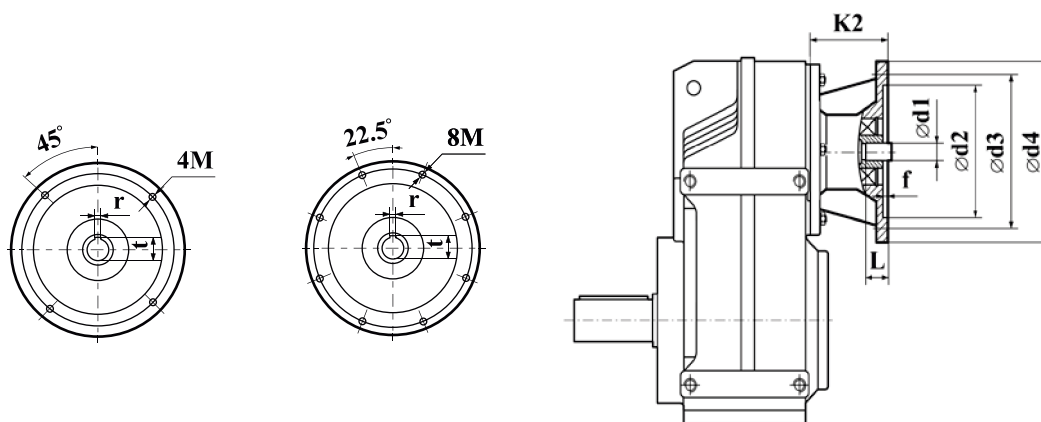
## I Размерный ряд входного (ведущего) вала



Тип редуктора	Габарит	Тип входного вала	Передаточное число	G1	K1	D1	L1	L2	L3	T1	U1	M
			FC									
FC	27	AD1	33.83-140.74	120	102	16	40	32	4	18	5	M5
		AD2	4.16-29.56		130	19	40	32	4	21.5	6	M6
FC	37	AD1	51.70-128.51		102	16	40	32	4	18	5	M5
		AD2	3.77-47.02		130	19	40	32	4	21.5	6	M6
FC	47	AD1	68.09-190.76		102	16	40	32	4	18	5	M5
		AD2	4.99-65.36		130	19	40	32	4	21.5	6	M6
FC	57	AD2	24.96-199.70		123	19	40	32	4	21.5	6	M6
		AD3	5.18-21.17		159	24	50	40	5	27	8	M8
FC	67	AD2	36.30-228.99		123	19	40	32	4	21.5	6	M6
		AD3	3.97-32.08		159	24	50	40	5	27	8	M8
FC	77	AD2	48.37-281.71		116	19	40	32	4	21.5	6	M6
		AD3	28.75-43.58		151	24	50	40	5	27	8	M8
		AD4	4.28-25.50	224	38	80	70	5	41	10	M12	
FC	87	AD2	76.39-270.68	111	19	40	32	4	21.5	6	M6	
		AD3	39.30-68.40	156	28	60	50	5	31	8	M10	
		AD4	28.78-35.19	219	38	80	70	5	41	10	M12	
		AD5	4.12-26.50	292	42	110	70	10	45	12	M16	
FC	97	AD3	72.29-276.77	151	28	60	50	5	31	8	M10	
		AD4	36.64-65.47	214	38	80	70	5	41	10	M12	
		AD5	15.06-33.91	278	42	110	70	10	45	12	M16	
		AD6	4.57-12.77	327	48	110	80	10	51.5	14	M16	
FC	107	AD3	117.94-254.40	145	28	60	50	5	31	8	M10	
		AD4	50.73-101.38	208	38	80	70	5	41	10	M12	
		AD5	31.8-43.03	218	42	110	70	10	45	12	M16	
		AD6	6.22-33.79	321	48	110	80	10	51.5	14	M20	
FC	127	AD4	75.41-170.83	193	38	80	70	5	41	10	M20	
		AD5	42.15-70.07	266	42	110	70	10	45	12	M12	
		AD6	<small>24.57-26.66, 37.28</small>	306	48	110	80	10	51.5	14	M16	
		AD7	25.30-31.33	300	55	110	90	10	59	16	M16	
		AD8	4.68-21.38	383	70	140	110	15	74.5	20	M20	
FC	157	AD5	<small>60.25-267.43, 53.95</small>	258	42	110	70	10	45	12	M16	
		AD6	<small>35.75-43.94, 52.24</small>	298	48	110	80	10	51.5	14	M16	
		AD7	32.55-46.68	292	55	110	90	10	59	16	M20	
		AD8	<small>11.92-28.6, 27.60</small>	374	70	140	110	15	74.5	20	M20	



## I Размерный ряд входного фланца



Тип редуктора	Тип фланца	G2	K2	d1	d2	d3	d4	f	r	t	L	M
FC27/37/47	IEC63B5	120	63	11	95	115	140	5	4	12.8	23	10
	IEC71B5		63	14	110	130	160	5	5	16.3	30	10
	IEC80B5		85	19	130	165	200	5	6	21.8	40	12
	IEC90B5		85	24	130	165	200	5	8	27.3	50	12
FC57/67	IEC63B5	160	61	11	95	115	140	5	4	12.8	23	10
	IEC71B5		61	14	110	130	160	5	5	16.3	30	10
	IEC80B5		90	19	130	165	200	5	6	21.8	40	12
	IEC90B5		90	24	130	165	200	5	8	27.3	50	12
	IEC100/112B5		88	28	180	215	250	5	8	31.3	60	15
FC77	IEC63B5	200	62	11	95	115	140	5	4	12.8	23	10
	IEC71B5		62	14	110	130	160	5	5	16.3	30	10
	IEC80B5		80	19	130	165	200	5	6	21.8	40	12
	IEC90B5		80	24	130	165	200	5	8	27.3	50	12
	IEC100/112B5		86	28	180	215	250	5	8	31.3	60	15
	IEC132B5		108	38	230	265	300	5	10	41.3	80	15
FC87	IEC80B5	250	85	19	130	165	200	5	6	21.8	40	12
	IEC90B5		85	24	130	165	200	5	8	27.3	50	12
	IEC100/112B5		92	28	180	215	250	5	8	31.3	60	15
	IEC132B5		128	38	230	265	300	5	10	41.3	80	15
	IEC160B5		150	42	250	300	350	7	12	45.3	110	19
	IEC180B5		150	48	250	300	350	7	14	51.8	110	19
FC97	IEC100/112B5	300	100	28	180	215	250	5	8	31.3	60	15
	IEC132B5		120	38	230	265	300	5	10	41.3	80	15
	IEC160B5		150	42	250	300	350	7	12	45.3	110	19
	IEC180B5		150	48	250	300	350	7	14	51.8	110	19
	IEC200B5		150	55	300	350	400	8	16	59.3	110	19
	IEC225B5		180	60	350	400	450	8	18	64.4	140	19
FC107	IEC100/112B5	350	80	28	180	215	250	5	8	31.3	60	15
	IEC132B5		119	38	230	265	300	5	10	41.3	80	15
	IEC160B5		150	42	250	300	350	7	12	45.3	110	19
	IEC180B5		150	48	250	300	350	7	14	51.8	110	19
	IEC200B5		170	55	300	350	400	8	16	59.3	110	19
	IEC225B5		200	60	350	400	450	8	18	64.4	140	19
FC127	IEC132B5	450	123	38	230	265	300	5	10	41.3	80	15
	IEC160B5		206	42	250	300	350	7	12	45.3	110	19
	IEC180B5		206	48	250	300	350	7	14	51.8	110	19
	IEC200B5		206	55	300	350	400	8	16	59.3	110	19
	IEC225B5		197	60	350	400	450	8	18	64.4	140	19
	IEC250B5		220	65	450	500	550	10	18	69.4	140	19
	IEC280B5		220	75	450	500	550	10	20	79.9	140	19
FC157	IEC160B5	550	190	42	250	300	350	7	12	45.3	110	19
	IEC180B5		190	48	250	300	350	7	14	51.8	110	19
	IEC200B5		190	55	300	350	400	8	16	59.3	110	19
	IEC225B5		220	60	350	400	450	8	18	64.4	140	19
	IEC250B5		220	65	450	500	550	10	18	69.4	140	19
	IEC280B5		220	75	450	500	550	10	20	79.9	140	19